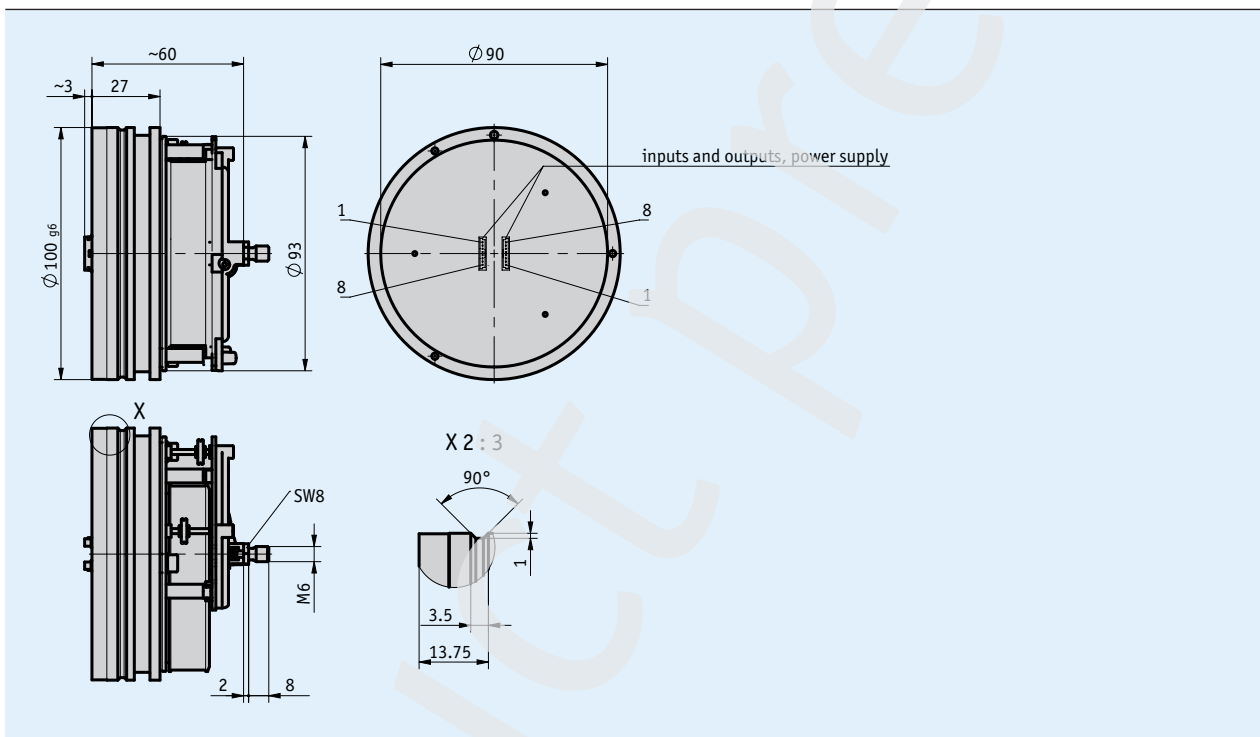
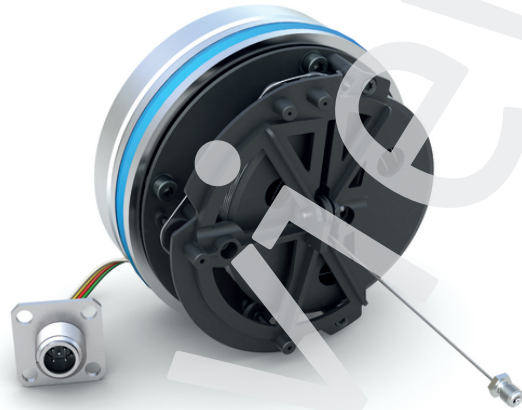


### Profile

- Measuring range 0 ... 5000 mm (196.85 inches)
- Absolute measuring system
- Pressure-resistant up to 350 bar, pressure peaks up to 650 bar
- High degree of flexibility, adjustable to all measuring lengths thanks to teach-in
- Redundant interfaces available
- Safety version usable up to Performance Level d
- Analog, CANopen, SAE J1939, CANopen Safety interfaces



### Mechanical data

Feature	Technical data	Additional information
Flange	aluminum	sealing ring (PUR)
Housing	synthetic	POM
Wire design	$\varnothing 0.45$ mm	steel rope (stainless)

## Electrical data

### ■ Analog interface

Feature	Technical data	Additional information
Operating voltage	9 ... 32 V DC	with output 0 ... 5 V, 0.5 ... 4.5 V, 0.25 ... 4.75 V, 1.0 ... 4.9 V, reverse polarity protected
	12 ... 32 V DC	with output 0 ... 10 V, reverse polarity protected
	12 ... 32 V DC	with output 0 ... 20 mA, 4 ... 20 mA, but UB > Uload + 2.0 V, reverse polarity protected
Current consumption	<32 mA	without load
Power input	<0.5 W	without load
Digital inputs	2	limit inputs
Input signal level high	>8.4 V	
Input signal level low	<2.8 V	
Output voltage	0 ... 10 V	load current <10 mA
	0 ... 5 V	load current <10 mA
	0.5 ... 4.5 V	load current <10 mA
	0.25 ... 4.75 V	load current <10 mA
Output current	1 ... 4.9 V	load current <10 mA
	0 ... 20 mA	load ≤500 Ω
	4 ... 20 mA	load ≤500 Ω
	Type of connection	plug connection system

### ■ CANopen interface

Feature	Technical data	Additional information
Operating voltage	10 ... 30 V DC	reverse polarity protected
Power input	<0.8 W	
Interface	according to ISO 1189, not isolated	CANopen, CIA 406, CIA 301
Address	adjustable	per SDO or Layer Setting Service (LSS)
Baud rate	≤1 MBit/s	
Type of connection	plug connection system	KV1H accessory

## System data

Feature	Technical data	Additional information
Scanning	magnetic	
Measuring range	5000 mm	measuring range flexibly usable between 0...5000 mm

## Ambient conditions

Feature	Technical data	Additional information
Ambient temperature	-40 ... 105 °C	electronics
	-40 ... 105 °C	mechanics
Storage temperature	-40 ... 85 °C	
Relative humidity	100 %	condensation admissible in the mounted and plugged condition
Operating pressure	<350 bar	
Overload pressure	<650 bar	
Protection category	IP69K	built in the cylinder (IP69K), with KV1H and suitable mating connector